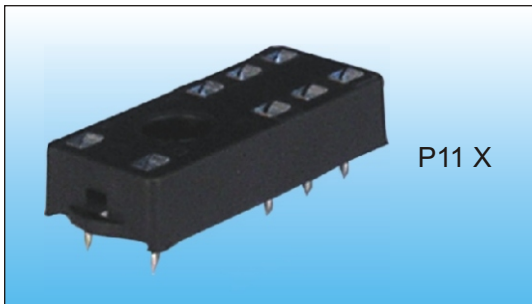
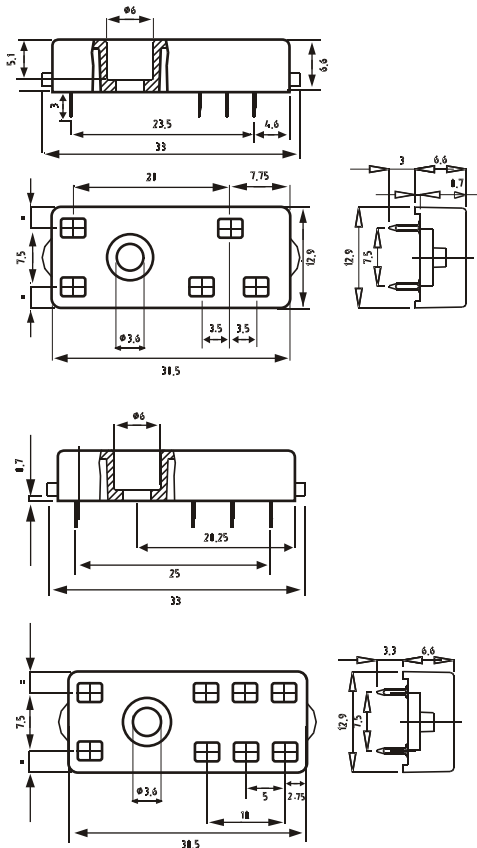


PCB Sockets & Accessories



Dimension Drawings (mm)



Product name

No. of pins

P1 X	5
P11 X	8

General data

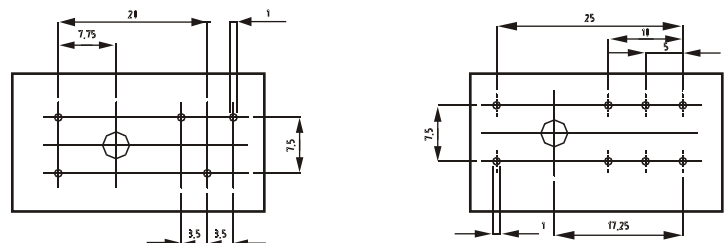
Nominal current	:	P1X :	12 Amps
	:	P11X :	8 Amps
Nominal voltage	:		250V
Di-electric strength	:		2000 Veff / 60 Sec
Air distance	:	P1X :	≥ 3.5 mm
	:	P11X :	≥ 2.0 mm
Creep distance	:	P1X :	≥ 3.5 mm
	:	P11X :	≥ 3.0 mm
Weight	:	P1X :	approx. 2g
	:	P11X :	approx. 2.5g
Ambient temperature	:		- 40 degree to +70 degree C
Mounting position	:		Any
Mounting	:		Solder Pin

Accessories

1040	Retaining Clip
------	----------------

Drilling Patterns (mm)

View from solder side



PARAMOUNT

For further details, contact:

Paramount Industries

#70, 5th Cross, SSI Area, Rajajinagar, Bangalore - 560 010
Tel: 00-91-80-3350828, 3357313, 2970010, Fax: 00-91-80-3302574, E-mail: paraind@vsnl.com